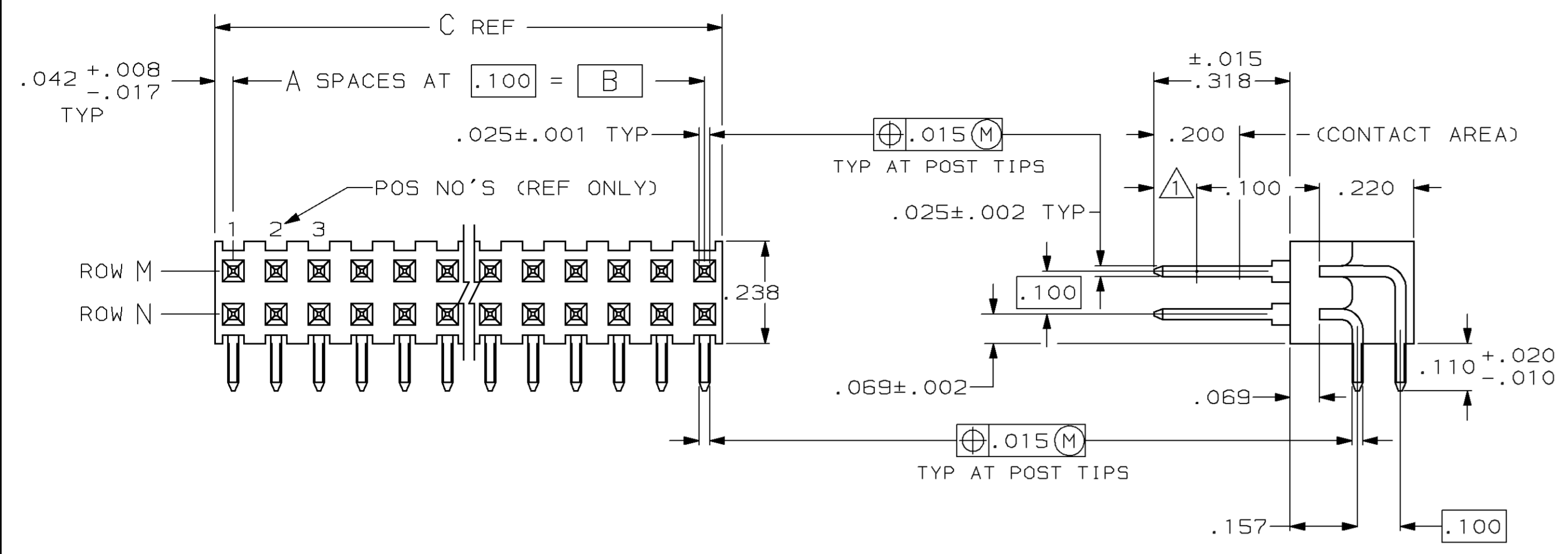


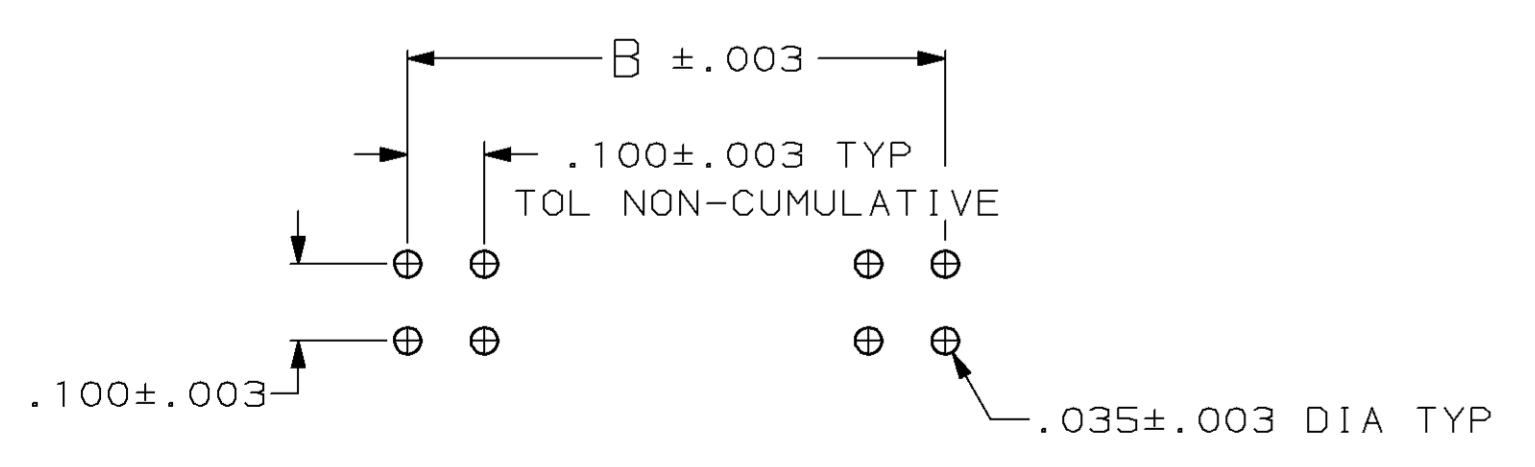
DRAWING MADE IN THIRD ANGLE PROJECTION
 THIS DRAWING IS UNPUBLISHED. RELEASED FOR PUBLICATION
 © COPYRIGHT 19 BY AMP INCORPORATED, HARRISBURG, PA. ALL INTERNATIONAL RIGHTS RESERVED. AMP PRODUCTS MAY BE COVERED BY U.S. AND FOREIGN PATENTS AND/OR PATENTS PENDING.

		REVISIONS				
P	F	ZONE	LTR	DESCRIPTION	DATE	APPROVED
		B1		REV & REDRAWN ECN 633		
		C		REV LOC & DIST AD-4171	3-90	BF
		D		REV PER ECN AD-4845	11/01/90	KIH
		E		REV PER AD-5212	1-18-91	-
		F		REV PER AD-5160	06/10/91	KIH
		G		REV PER AD-6034	12/19/91	KIH RF
		H		REV PER 0010-1352-93 JK	1-19-94	JK
		J		REV PER 0010-1355-93 JK	1-25-94	JK
		K		REV PER 0310-0372-97	9-25-97	SAS



- 1 POINT OF MEASUREMENT FOR PLATING THICKNESS
- 2 .000015 GOLD ON THE CONTACT AREA, GOLD FLASH ON SOLDER AREA, ALL OVER .000050 NICKEL

OBSOLETE	NONE	6TH	.984	.900	9	19	20	4-87230	-3	
OBSOLETE	2ND	NONE	.584	.500	5	11	12	4-	-2	
OBSOLETE	4TH		.484	.400	4	9	10	4-	-1	
	NONE			3.984	3.900	39	80	4-	-0	
				3.884	3.800	38	78	78	3-	-9
				3.784	3.700	37	76	76	3-	-8
				3.684	3.600	36	74	74	3-	-7
				3.584	3.500	35	72	72	3-	-6
				3.484	3.400	34	70	70	3-	-5
				3.384	3.300	33	68	68	3-	-4
				3.284	3.200	32	66	66	3-	-3
				3.184	3.100	31	64	64	3-	-2
				3.084	3.000	30	62	62	3-	-1
				2.984	2.900	29	60	60	3-	-0
				2.884	2.800	28	58	58	2-	-9
				2.784	2.700	27	56	56	2-	-8
				2.684	2.600	26	54	54	2-	-7
				2.584	2.500	25	52	52	2-	-6
				2.484	2.400	24	50	50	2-	-5
				2.384	2.300	23	48	48	2-	-4
				2.284	2.200	22	46	46	2-	-3
				2.184	2.100	21	44	44	2-	-2
				2.084	2.000	20	42	42	2-	-1
				1.984	1.900	19	40	40	2-	-0
				1.884	1.800	18	38	38	-	-9
				1.784	1.700	17	36	36	1-	-8
				1.684	1.600	16	34	34	1-	-7
				1.584	1.500	15	32	32	1-	-6
				1.484	1.400	14	30	30	1-	-5
				1.384	1.300	13	28	28	1-	-4
				1.284	1.200	12	26	26	1-	-3
				1.184	1.100	11	24	24	1-	-2
				1.084	1.000	10	22	22	1-	-1
				.984	.900	9	20	20	1-	-0
				.884	.800	8	18	18		-9
				.784	.700	7	16	16		-8
				.684	.600	6	14	14		-7
				.584	.500	5	12	12		-6
				.484	.400	4	10	10		-5
				.384	.300	3	8	8		-4
				.284	.200	2	6	6		-3
				.184	.100	1	4	4		-2
	NONE	NONE	.084			2	2	2	87230	-1
ROW N	ROW M		C	B	A	NO OF ACT POS	NO OF POS	ASSEMBLY PART NUMBER		
POSTS OMITTED										



RECOMMENDED HOLE LAYOUT

UNLESS OTHERWISE SPECIFIED DIMENSIONS ARE IN INCHES. TOLERANCES ON : DECIMALS ± .005 ANGLES ±	CONTRACT NO		AMP INCORPORATED Harrisburg, Pa.		
	DR 5-15-85 L. MAYER				
MATERIAL: HOUSING FLAME RETARDANT THERMOPLASTIC, COLOR: BLACK	CHK 5-22-85 T. ZOLA		NAME ASSEMBLY, MOD 11, HEADER, DOUBLE ROW, .100 X .100, C, RIGHT ANGLE, .025 SQ POSTS, SELECTIVELY LOADED		
	APPD 5-22-85 T. ZOLA				
POSTS: PHOS BRONZE	APPD 5-22-85 R. ELICKER		SIZE	FSCM NO	DRAWING NO
FINISH:	DSGN APPD		D	00779	87230
	OTHER APPD		SCALE	4:1	SHEET 1